

**2006 Officers**  
 President Ruben Colmenares  
 1st Vice President Joan Bailey  
 2nd Vice President Espie Quinn  
 Recording Secretary Margaret Nerio  
 Membership Secretary Helen Powell  
 Treasurer Dr. Jim Miller



The South Coast Orchid Society meets on the fourth Monday of each month except holidays at the Whaley Park Clubhouse, 5620 East Atherton Street, Long Beach, California at 8:00.

<http://www.southcoastorchidsociety.com>

# South Coast Orchid Society

Newsletter

Founded in 1950

July 2006

## Board of Directors

Expires 2007	Janine Cormier
Expires 2007	Luis Morente
Expires 2006	Jim Miller
Expires 2006	Dean Viereck
Expires 2008	Irma Hughes
Expires 2008	Andy Tao

## Committees

AOS Judging Programs	Bill Heckeroth
Orchid Digest	Joan Bailey
AOS Rep	John Reyes
Publicity	Janell Schuck
Southland	Janell Schuck
Culture Sessions	Open
Ribbon Judging	Espie Quinn
Auditor	Janell Schuck
Newsletter	Dr. Jack Gentry
Kitchen	Dennis Mackewicz
	Dr. Jim Miller

## Shows

John Reyes

## Raffle Ticket Sales

Jane Brecht

For more information contact:  
 Ruben Colmenares 562 421-9203  
 Joan Bailey 310 835-9614  
 Espie Quinn 714-968-0220  
 John Reyes 562-431-1142  
 Helen Powell 562-425-1687  
 Dr. Jim Miller 909-780-8322

Stories, articles and news items are welcome. The deadline is the 5th of the month.

Dennis Mackewicz  
 3198 Lilly Avenue  
 Long Beach, CA 90808  
 (562) 430-0090  
[dwmackewicz@yahoo.com](mailto:dwmackewicz@yahoo.com)

Monday, July 24, 2006

Topic:

“Bring Questions for Our ‘Senior’ Orchid Growers”

8 p.m.

Members night to ask any question of our “experienced” orchid grower members - that’s you. Some questions for you to consider:

- \* What’s the best way to grow Vandas; ask **Butch**.
- \* How do you mount orchids; ask **Jim**.
- \* Where do members grow their orchids, i.e., green house, outside; **ask any member**.
- \* What are members’ favorite orchid (s) to grow?
- \* What media are members using to repot their orchids?
- \* What are the most common pest members that have to deal with?
- \* What spays are currently in use to deal with pests?
- \* What/whose fertilizers are used and what is the best way to apply it?
- \* What watering system works best?
  - Usually how often are orchids watered?
  - What system works when taking a vacation?

**You get the idea; bring your questions to the July meeting and join in, in answering other members questions.**

## Refreshments

Last names **Q to Z** please bring refreshments.  
 There is a special drawing for those who bring food!

**The Ribbon Judging Forms below can be completed ahead of time and brought in with your plants**

South Coast Orchid Society RIBBON JUDGING	South Coast Orchid Society RIBBON JUDGING
PLEASE PRINT LEGIBLY	PLEASE PRINT LEGIBLY
PLANT NAME _____	PLANT NAME _____
HYBRID or SPECIES (circle one)	HYBRID or SPECIES (circle one)
Grown OUT OF DOORS or GREENHOUSE (circle)	Grown OUT OF DOORS or GREENHOUSE (circle)
REMARKS _____	REMARKS _____
FOLD UNDER	FOLD UNDER
EXHIBITED BY _____	EXHIBITED BY _____
DATE _____	DATE _____

**SCOC Newsletter Available via Email**  
And at [www.southcoastorchidsociety.com](http://www.southcoastorchidsociety.com)

Starting in **July** all current 2006 members will receive our newsletter attached to an email if we have your email address in addition to a mailed copy unless you have opted for the "Email-ONLY" option.

By replying to your email you can request "**Discontinuing**" these mailings at any time.

If you did NOT receive an emailed newsletter this month and **WANT ONE**, please send an email request to the editor at [dwmackewicz@yahoo.com](mailto:dwmackewicz@yahoo.com). Even if you think you have given us your email, we may not have "deciphered" it correctly so send us your email again.


**Please consider the "Email-ONLY" Newsletter option.** In considering this option, realize it's an opportunity for your Society to save money in postage and printing.

Extra printed newsletters will be available at future meetings for those who get email copies but also want a hard copy. The savings on postage is still 50% of our costs. We will monitor the number of copies needed at our meetings for this purpose.

Thanks for considering the Email-ONLY option.

**Newsletter Advertisements**


Advertising is now being accepted for our newsletter. The size and number of ads may be limited at the discretion of the editor. Advertising Rates per issue are: ¼ page \$10, ½ page \$20, full page \$40.



**UPCOMING EVENTS**

**26th Annual Santa Barbara Orchid Estate International Orchid Fair**  
**July 7- 9**  
Fri-Sat: 9 AM - 5 PM, Sun 10 AM - 4 PM  
Earl Warren Showgrounds  
Santa Barbara, CA  
(805) 967-1284  
[santabarbaraochidestate.com](http://santabarbaraochidestate.com)  
[www.southcoastorchidsociety.com](http://www.southcoastorchidsociety.com)

**South Bay Orchid Society 50th Anniversary Fall Show and Sale**  
**September 23rd (Sat.) and 24th (Sun.)**  
Sat. Sales: 9 am - 5 pm; Show: 11 am - 5 pm  
Sun. Sales & Show: 9 am - 5 pm  
South Coast Botanic Gardens  
26300 Crenshaw Blvd.  
Palos Verdes Peninsula, CA 90274



## ***Maxillaria tenuifolia* (\*)**

Maxillaria tenuifolia is one of the 200 species of maxillarias. It is one of the easiest orchids to care for. Maxillaria tenuifolia is native to Mexico to Honduras.

**Blooming Time: Summer.** This plant bears **long lasting coconut-scented blossoms**, about 1-1/2 inches across that are dark red with yellow speckles.

**Culture:** Maxillaria tenuifolia does best in bright indirect or curtain-filtered sunlight, **night temperatures of 55° to 70°** and day temperatures of 68° or higher. Plant in a mixture of 2 parts fir bark or shredded tree-fern fiber and 1 part peat moss. Keep the potting medium moist at all times. Fertilize monthly with a 20-10-10 fertilizer diluted to ¼ tsp. per quart of water.

**Propagation:** Maxillaria tenuifolia is propagated by the division of pseudobulbs which arise from a creeping rhizome.

*(\*) Editor's note: if you were at the June meeting you saw several of these plants on the Judging table in bloom (see judging results). You can ask THESE members how they like to grow this orchid at our July meeting. See picture below.*



### **June Monthly Meeting Members' Orchids on Judging Table**



**Several Maxillaria tenuifolias**

**Speaker's Pick on Judging  
Panarica (Encyclia) prismatocarpa  
(outdoors)**

## June Monthly Meeting



### RIBBON JUDGING

Thanks to the following members for judging at the June meeting: Fred Clark, Mong Noiboonsook, and Janine Slane.

### Ribbon Judging June 2006

#### CATTLEYA ALLIANCE

1 <sup>st</sup> C. Hybrida	Ruben Colmenares
2 <sup>nd</sup> Lc. Stonehouse	Bonnie Navens
3 <sup>rd</sup> C. Gauranda x Epicatt 'Vienna Woods'	Janell & Harry Schuck

#### LAELIA CATTLEYA SECTION

1 <sup>st</sup> L. purpurata 'Clito'	Espie Quinn
2 <sup>nd</sup> L. purpurata 'russellann'	Espie Quinn
3 <sup>rd</sup> L. purpurata 'Vinicolor'	Espie Quinn
CULTURAL Awards	
L. purpurata 'Clito'	Espie Quinn
And	
L. purpurata 'Vinicolor'	Susan & Russ Nichols

#### PAPHIOPEDILUMS & PHRAGMIPIDIUMS

1 <sup>st</sup> Paph. primalinum x 'Honda Half'	Bonnie Navens
---	---------------

#### PANARICA (ENCYCLIA) ALLIANCE

1 <sup>st</sup> Panarica prismatocarpa	Jim Hoyle
CULTURAL AWARD	
Panarica prismatocarpa	Jim Hoyle

#### PLEUROTHALLIS/MASDEVALLIA ALLIANCE

1 <sup>st</sup> Masd. infractia	Susan & Russ Nichols
2 <sup>nd</sup> Masd. decuma	Susan & Russ Nichols
CULTURAL AWARD:	
Masd. infractia	Susan & Russ Nichols

#### SPECIES

1 <sup>st</sup> Maxillaria tenuifolia	Janell & Harry Schuck
2 <sup>nd</sup> Maxillaria tenuifolia	Espie Quinn
3 <sup>rd</sup> Maxillaria tenuifolia	Espie Quinn
CULTURAL AWARD:	
stellis (unnamed)	Espie Quinn

Member's are requested to participate in The Plant Forum by sharing and displaying their blooming plants each month. We would like more members to bring in their plants for "show and tell" / Ribbon Judging.

It makes our meetings more interesting and each plant entitles you to a FREE RAFFLE TICKET for a chance to win a new orchid.

EACH MEMBER HELPING WITH JUDGING  
WILL RECEIVE A FREE RAFFLE TICKET FOR  
THEIR EFFORTS.

Janell Schuck, Ribbon Judging Coordinator

### South Coast Orchid Society

SCHEDULED MEETING DATES (\*)

#### 2006

24 - July  
28 - August  
25 - September  
23 - October  
27 - November  
18 - December ( 3rd Monday )

#### 2007

22 - January  
26 - February  
26 - March  
23 - April  
21 - May ( 3rd Monday )  
25 - June

(\*) Note: subject to change from L.B. Parks Dept.  
Always check current newsletter to confirm date.

The South Coast Orchid Society meets on the fourth Monday of each month except holidays at the Whaley Park Clubhouse, 5620 East Atherton Street, Long Beach, California at 8:00 p.m.

# TOOL STOP AND MACHINERY

**LONG BEACH, CA 90808  
(562) 425-3634**



## BLACK SHADE 'MESH' FABRIC

Available in rolls of 6', 10', 12' Lengths: (up to 500 yds) or any custom size.



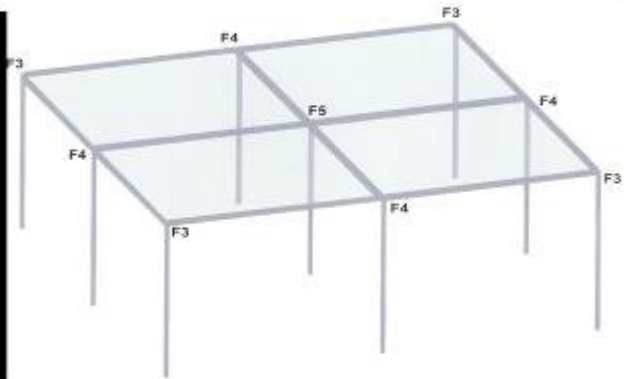
Green Lathe

## GROUND COVER

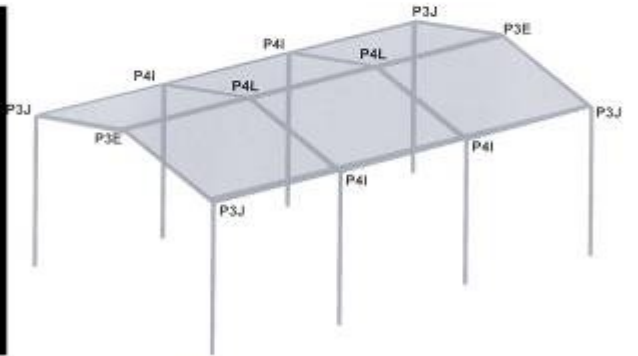
Available in 100YD. or 500YD. rolls in 6, 10, 12 & 15' widths

	100YD. ROLL	500YD. ROLL
6' WIDE	GC-106	GC-506
10' WIDE	GC-110	GC-510
12' WIDE	GC-112	GC-512
15' WIDE	GC-115	GC-515

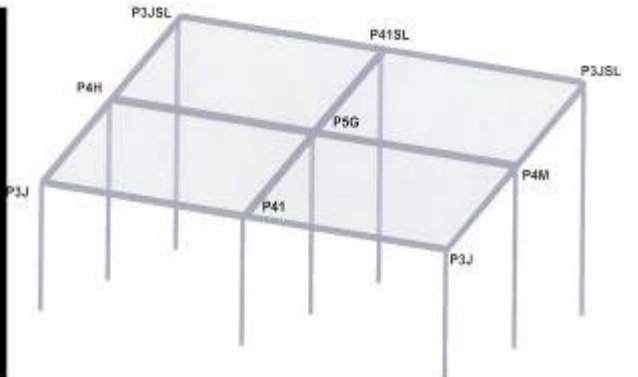
## FLAT CANOPY



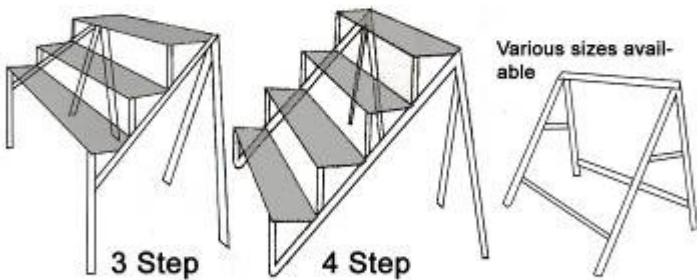
## LOW PEAK CANOPY



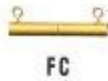
## SLOPE ANGLE CANOPY



## DISPLAY RACKS AND TABLE LEGS



Many Types Fittings Available to Fit your Needs in sizes 3/4" 1" 1 3/8" 1 5/8" and 1 7/8"



**CALL FOR QUOTES AND INFO**

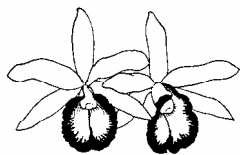
# South Coast Orchid Society

Dennis Mackewicz, Newsletter Editor  
3198 Lilly Avenue  
Long Beach, CA 90808

**MONDAY, July 24th**  
Meeting at Whaley Park  
7:30 Culture Session  
8:00 p.m. Speaker

We have already **EMAILED** this **NEWSLTTTER** to you if SCOS has your email address.

NOTE: Some spam and Junk-Mail filters block large group emailings. Check your email system & set it to allow emails from the editor - [dwmackewicz@yahoo.com](mailto:dwmackewicz@yahoo.com), e.g., add to your "Contacts" list. Also see page 2 in newsletter about the Email-ONLY option.



**We wish to thank these commercial vendors for their generosity and support.**

<p><b>Tho's Orchid</b> <a href="http://www.thoorchid@aol.com">www.thoorchid@aol.com</a> <a href="mailto:thoorchid@aol.com">thoorchid@aol.com</a></p>				
<p><b>Andy's Orchids</b> Andy Philips 734 Oceanview Ave. Encinitas, CA 92024 (888) 514-2639 <a href="http://www.andysorchids.com">www.andysorchids.com</a></p>	<p><b>Carter &amp; Holmes, Inc.</b> Mary &amp; Owen Holmes P.O. Box 668 Newberry, SC 29108 (800) 873-7086 <a href="http://www.carterandholmes.com">www.carterandholmes.com</a></p>	<p><b>Hatfield Orchids</b> George Hatfield (805) 644-8413 <a href="mailto:george@hatfieldsorchids.com">george@hatfieldsorchids.com</a> <a href="http://www.hatfieldorchids.com">www.hatfieldorchids.com</a></p>	<p><b>Orchid Garden</b> 3511 182nd St. Torrance, CA 90504 310-379-1488</p>	<p><b>Tayama Greenhouses</b> Mike Kimura 753 S. Wall Street Los Angeles, CA 90014 (760) 753-6206 <a href="http://www.tayama.com">www.tayama.com</a></p>
<p><b>Bill Bailey's Orchids</b> 1715 Via Arriba Palos Verdes Estate, CA 90274 (310) 375-1738</p>	<p><b>Casa de las Orquideas</b> Loren &amp; Nancy Batchman 170 South Nardo Avenue Solano Beach, CA 92075 (858) 755-7572 <a href="http://www.orquideas.com">www.orquideas.com</a></p>	<p><b>JA-RO-CA Orchids</b> Rod &amp; Janet Carpenter 14737 Palm Avenue Hacienda Heights, CA 91745 (626) 336-3641 <a href="http://www.jaroca.com">www.jaroca.com</a></p>	<p><b>Orchids Royale</b> Jim &amp; Noelle Burkey 5902 Via Real Carpinteria, CA 93014 (805) 684-8066 <a href="mailto:jburkey21@hotmail.com">jburkey21@hotmail.com</a></p>	<p><b>The Rowland Collection</b> Pat Rowland 12446 Georgian St. Garden Grove, CA 92841 (714) 892-3502</p>
<p><b>Butterfly Orchids</b> Ernie Campuzano 821 W. Ballina Ct. Thousand Oaks, CA 91320 (806) 498-2077</p>	<p><b>Gallup &amp; Stribling Orchids</b> 3450 Via Real Carpinteria, CA 93013 (800) 222-7450 <a href="mailto:sale@gallup-stribling.com">sale@gallup-stribling.com</a></p>	<p><b>Marcel's Orchids</b> Sonora Winward 5133 E. Kildee Street Long Beach, CA 90808 (562) 496-0690 (Appointment Only)</p>	<p><b>Paphanatics, Unlimited</b> Dr. Norito Hasegawa 3319 W. Lincoln Ave. Anaheim, CA 92801 (714) 826-8432</p>	<p><b>Tropical Gardens</b> Zeny &amp; Bill 22920 Cajalco Rd. Perris, CA 92570 (800) 866-443-0263</p>
<p><b>Cal West Tropical Supplies</b> 11614 Sterline Ave. Riverside, CA 92503 (800) 301-9009 <a href="http://www.orchid-supplies.com">www.orchid-supplies.com</a></p>	<p><b>Granite Hills Orchids</b> 1894 Dehesa Rd. El Cajon, CA 92019 (619) 441-9874 <a href="http://www.granitehillsorchids.com">www.granitehillsorchids.com</a></p>	<p><b>Oakhill Gardens</b> P.O. Box 25 Dundee, IL 60118-0025 (847) 428-8500 <a href="mailto:oakhillgardens@sprintmail.com">oakhillgardens@sprintmail.com</a></p>	<p><b>Santa Barbara Orchid Estate</b> Paul Gripp 1250 Orchid Drive Santa Barbara, CA 93111 (800) 553-3387 <a href="http://www.sborchid.com">www.sborchid.com</a></p>	<p><b>Wise Orchids</b> 3524 Merinda Ln Yorba Linda, CA (714) 524-1730</p>
<p><b>Cal-Orchid</b> Jim Rose 1251 Orchid Drive Santa Barbara, CA 93111 805 967-1312</p>	<p><b>Gubler's Orchids</b> 2200 Bellfield Blvd. Landers, CA 92285 760-364-2282 <a href="http://www.gublers.com">www.gublers.com</a></p>	<p><b>Orchid Fever</b> 10242 Culver Blvd. Culver City, CA 90252 310-559-6599</p>	<p><b>Sunset Valley Orchids</b> Fred Clark 1255 Naval Place Vista, CA 92083 (760) 639-6255 <a href="mailto:fred.clarke@worldnet.att.net">fred.clarke@worldnet.att.net</a></p>	<p><b>Zuma Canyon Orchids</b> George Vasquez 5949 Bonsall Drive Malibu, CA 90265 (877) 625-4266 <a href="mailto:Zumacanyon-orchids@compuserve.com">Zumacanyon-orchids@compuserve.com</a></p>